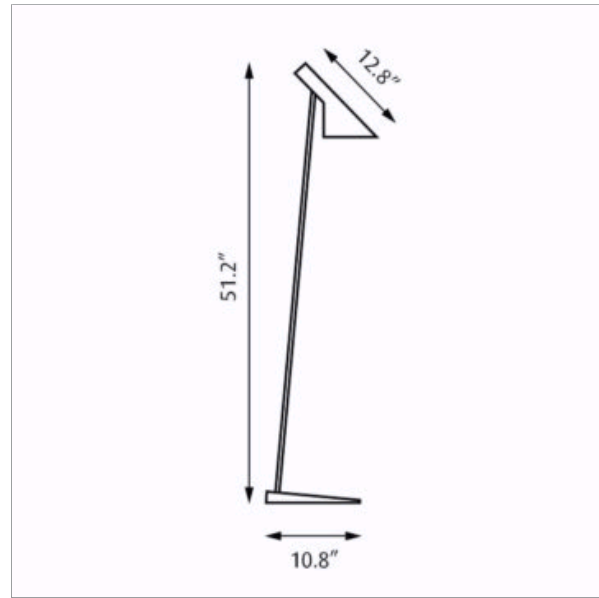


AJ Floor



Design: Arne Jacobsen

Concept: The fixture emits downward directed light. The angle of the shade can be adjusted to optimize light distribution. The shade is painted white on the inside to ensure a soft comfortable light.

Finish: Blue/Green, petroleum, red, sand, yellow/green, black, graphite grey or white, wet painted.

Material: Base: Die cast zinc. Shade: Spun steel. Stem: Steel.

Mounting: Cord type: Black except for white version: white. Cord length: 8'. Switch: In-line on/off foot switch provided.

Weight: Max. 8 lbs.

Label: cULus, Dry location. IBEW.

Product code	Light source	Voltage	Finish
AI-F	1/60W/A-19/IF medium	120V	BLK BLUE/GREEN GRP GREY PETROLEUM RED SAND WHI YELLOW/GREEN

Info notes

1. The comparable EU version has the following classification: Ingress Protection Code: IP20.

**louis
poulsen**